



ELECTRIC SUBMERSIBLE PUMPS SEMISOM

SM125P SEMISOM125GR 230V+STAND 10M

HYDRAULIC CHARACTERISTICS

Type of impeller	Open
Outlet nominal diameter (mm)	G 1"½

APPLICATION FEATURES

Protection degree	IP68
Duty	Continuous (S1)
Max immersion depth (m)	20
Max number of starts per hour	40
Max temperature of the liquid pumped (°C)	50
PH of the liquid pumped	6 - 10
Density of the liquid pumped (kg/dm³)	<1,1
Suitable for inverter drive	NO

PROTEZIONI

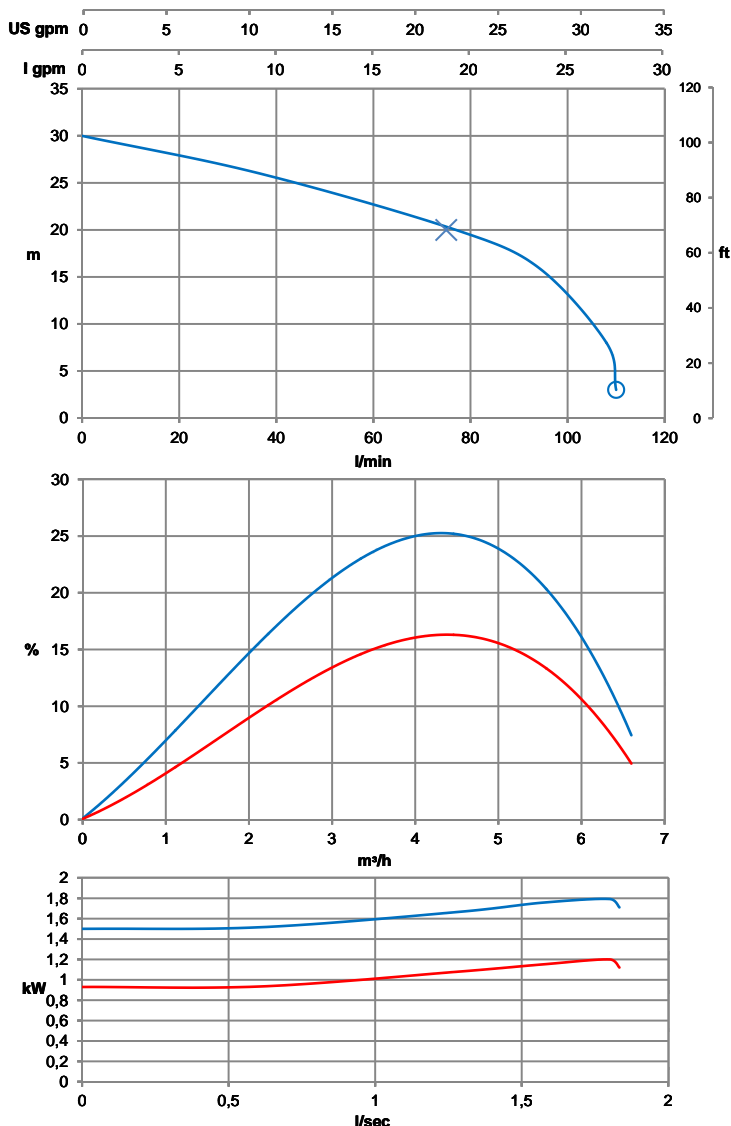
Thermal Protection	In-built
--------------------	----------

ELECTRICAL CHARACTERISTICS

Power (V)	230
No. of Phases	1
Frequency (Hz)	50
Insulation class	F
Nominal Speed (1/min)	2829
Nominal Power of the motor (kW)	1,18
Max absorbed power P1 (kW)	1,793
Start current (A)	34,7
Max. current (A)	9,2
No. of Poles	2
Capacitor (µF)	35

	Load		
	4/4	3/4	1/2
Power factor	0,90	0,82	0,69
Motor efficiency	70,8%	67,7%	57,3%

PERFORMANCE CURVES



X = MAX. EFFICIENCY (Best Efficiency Point)

Total efficiency η_t (%)	16
Hydraulic efficiency η_i (%)	25
Absorbed power P1 (kW)	1,7
Hydraulic power P2 (kW)	1,1
Head (m)	20
Flow (l/min)	75

LIMITS

Flow max. (l/min)	110
Head max. (m)	30
○ = Minimum Head (m)	3

— η_i Hydraulic efficiency
— η_t Total efficiency

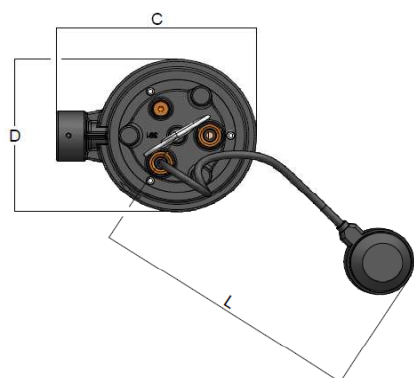
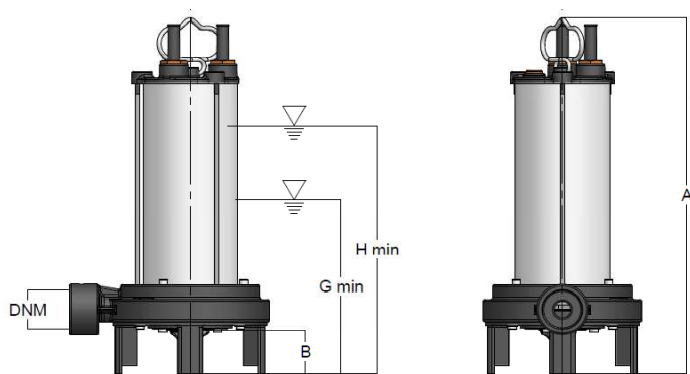
— P1 Absorbed power
— P2 Hydraulic power

ELECTRIC SUBMERSIBLE PUMPS SEMISOM

SM125P SEMISOM125GR 230V+STAND 10M



DIMENSIONS AND WEIGHTS



G = minimum STOP level in case of automatic control (mm)	260
H = minimum level of liquid in case of continuous duty (mm)	330
A = total height (mm)	441
B (mm)	54,0
C = total Footprint (mm)	240
D (mm)	190
L = overall dimensions of the floating arm (mm)	n/a
DNM = Nominal Diameter of the Discharge	G 1"½
WEIGHT (kg)	22,1
Length of cable (m)	10

BBC Elettropompe S.r.l.

Via G. di Vittorio, 9 - 61034 Fossombrone (PU) - Italy
 Tel. +39.0721.716590 - Fax +39.0721.716518
 bbcpompe@bbc.it - www.bbc.it

December 2020 - Cod033 - Rev 00