



ELECTRIC SUBMERSIBLE PUMPS SEMISOM

ST300P SEMISOM300GR 400V+STAND 10M

HYDRAULIC CHARACTERISTICS

Type of impeller	Open
Outlet nominal diameter (mm)	G 1 1/2

APPLICATION FEATURES

Protection degree	IP68
Duty	Continuous (S1)
Max immersion depth (m)	20
Max number of starts per hour	40
Max temperature of the liquid pumped (°C)	50
PH of the liquid pumped	6 - 10
Density of the liquid pumped (kg/dm³)	<1,1
Suitable for inverter drive	Yes

PROTEZIONI

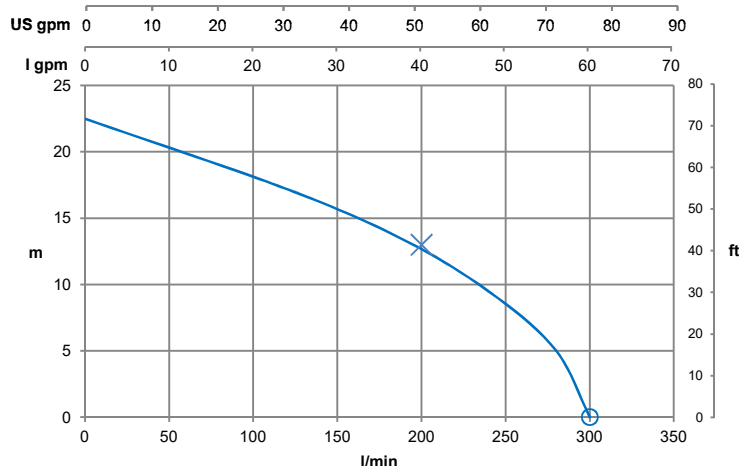
Thermal Protection	Responsibility of user
--------------------	------------------------

ELECTRICAL CHARACTERISTICS

Power (V)	400
No. of Phases	3
Frequency (Hz)	50
Insulation class	F
Nominal Speed (1/min)	2855
Nominal Power of the motor (kW)	1,18
Max absorbed power P1 (kW)	1,501
Start current (A)	16,4
Max. current (A)	2,9
No. of Poles	2

	Load		
	4/4	3/4	1/2
Power factor	0,72	0,61	0,46
Motor efficiency	76,0%	75,0%	67,2%

PERFORMANCE CURVES



X = MAX. EFFICIENCY (Best Efficiency Point)

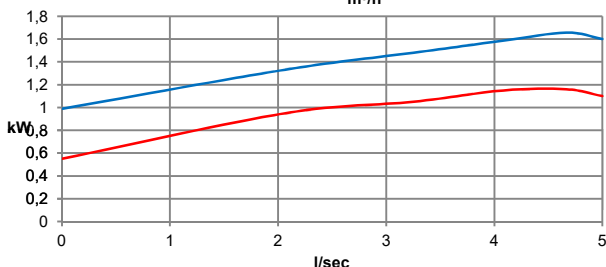
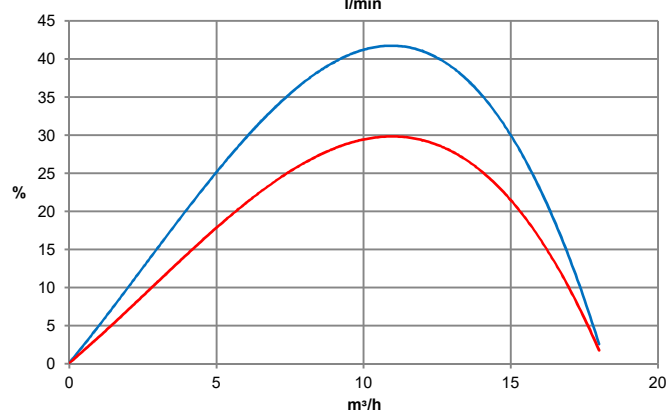
Total efficiency η_t (%)	30
Hydraulic efficiency η_i (%)	42
Absorbed power P1 (kW)	1,35
Hydraulic power P2 (kW)	1,05
Head (m)	13
Flow (l/min)	200

LIMITS

Flow max. (l/min)	300
Head max. (m)	22,5
○ = Minimum Head (m)	0

— η_i Hydraulic efficiency
— η_t Total efficiency

— P1 Absorbed power
— P2 Hydraulic power

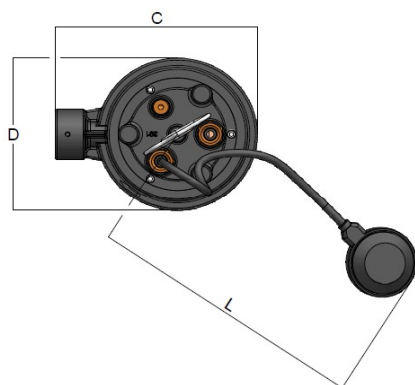
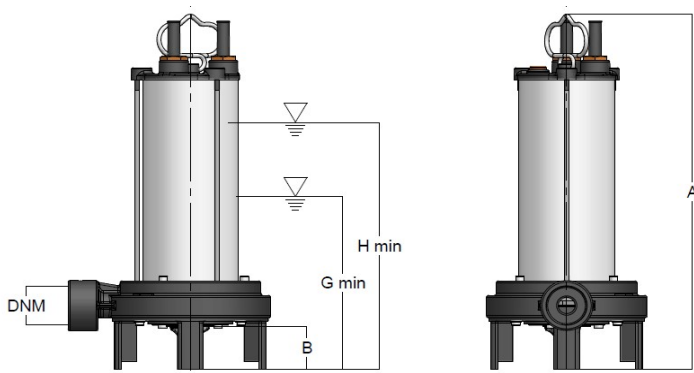


ELECTRIC SUBMERSIBLE PUMPS SEMISOM

ST300P SEMISOM300GR 400V+STAND 10M



DIMENSIONS AND WEIGHTS



G = minimum STOP level in case of automatic control (mm)	305
H = minimum level of liquid in case of continuous duty (mm)	375
A = total height (mm)	441
B (mm)	46,0
C = total Footprint (mm)	264
D (mm)	195
L = overall dimensions of the floating arm (mm)	n/a
DNM = Nominal Diameter of the Discharge	G 1"½
WEIGHT (kg)	22,6
Length of cable (m)	10

BBC Elettropompe S.r.l.

Via G. di Vittorio, 9 - 61034 Fossombrone (PU) - Italy
 Tel. +39.0721.716590 - Fax +39.0721.716518
 bbcpompe@bbc.it - www.bbc.it

June 2022 - Cod046 - Rev 00